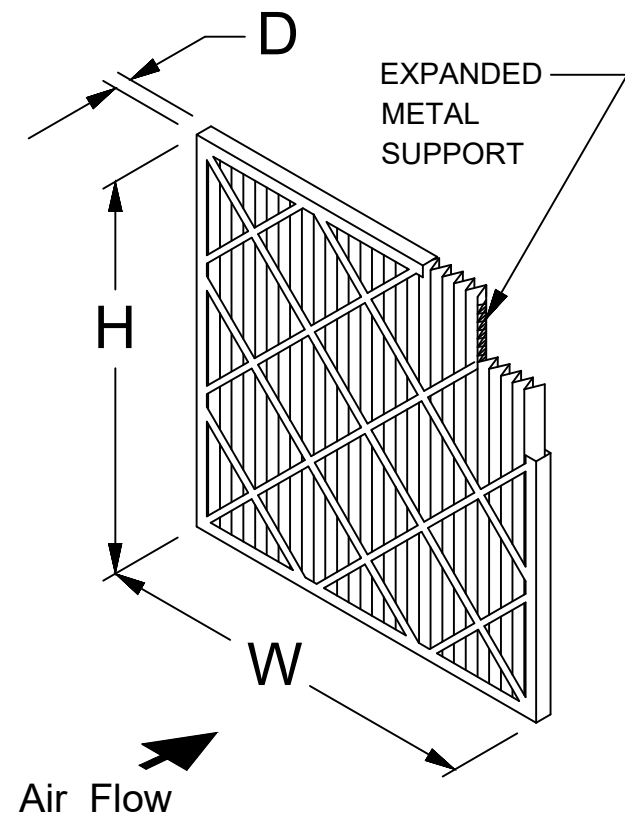


Nominal Size W x H x D (in)	Actual Size W x H x D (in)	Part Number	Capacity (CFM)	Resistance (in W.G.)	Media Area (sq ft)	Carton Qty	Weight per Carton (lbs)
12 x 24 x 1	11-3/8 x 23-3/8 x 3/4	102-793-12241	600	0.34	4.4	12	8
14 x 25 x 1	13-1/2 x 24-1/2 x 3/4	102-793-14251	725	0.34	5.1	12	10
16 x 20 x 1	15-1/2 x 19-1/2 x 3/4	102-793-16201	675	0.34	4.8	12	9
16 x 25 x 1	15-1/2 x 24-1/2 x 3/4	102-793-16251	850	0.34	6	12	11
18 x 24 x 1	17-3/8 x 23-3/8 x 3/4	102-793-18241	900	0.34	6.4	12	12
20 x 20 x 1	19-1/2 x 19-1/2 x 3/4	102-793-20201	850	0.34	6	12	12
20 x 24 x 1	19-3/8 x 23-3/8 x 3/4	102-793-20241	1000	0.34	7.2	12	13
20 x 25 x 1	19-1/2 x 24-1/2 x 3/4	102-793-20251	1000	0.34	7.5	12	14
20 x 30 x 1	19-1/2 x 29-1/2 x 3/4	102-793-20301	1250	0.34	9.1	12	18
24 x 24 x 1	23-3/8 x 23-3/8 x 3/4	102-793-24241	1200	0.34	8.7	12	15



Standard Construction:

- 100% Synthetic Media Upstream and Carbon Media Layer Downstream
- Carbon Weight: 200 gsm
- Uses Celbond Particulate Structures (CPS) Technology
- Moisture Resistant Beverage Board Frame (24 point)
- Double Wall Frame

Specifications:

- Efficiency: MERV 13 (ASHRAE Standard 52.2-2017)
- Final Resistance: 1.5" W.G.
- Rated Velocity: 300 FPM
- Maximum Operating Temperature: 150 F (66 C)
- Tolerance: Height & Width - +/- 1/8"
- Tolerance: Depth - +/- 1/16"

Notes:

- All Dimensions are in Inches Unless Otherwise Noted.
- Drawing Not To Scale

KOCH FILTER
PURE PERFORMANCE

**M13/Odorkleen 200
1" Filters**

REV
LTR

REVISION

BY /
DATE

8401 Air Commerce Drive - Louisville KY 40219
Phone: (502) 634-4796 FAX: (502) 637-2280

Drawn By: Dave Miller
Date: 30 January, 2023

Revision